

RT5394

ROUGH TERRAIN SERIES



STANDARD SPECIFICATIONS

Performance

Platform Height (Elevated)	53-ft / 16.2-m
Platform Capacity	1,500-lb / 680-kg
Capacity on Platform Extension	500-lb / 227-kg
Number of Occupants	6
Lift / Lower Time	65/60 seconds
Maximum Drive Height	32-ft / 9.75-m
Weight w/One Extension*	17,110-lb / 7,761-kg
Ground Bearing Pressure	90 psi / 6.3 kg/cm ²
Drive Speed (Lowered)	3.5 mph / 5.6 km/h
Drive Speed (Elevated)	.5 mph / .8 km/h
Gradeability	40%
Max Tilt Rating (Side-to-Side)	1.5 Degrees
Max Tilt Rating (Fore and Aft)	1.5 Degrees
Turning Radius (Inside)	9-ft / 2.7-m
Turning Radius (Outside)	19-ft 9-in / 6.0-m

*Certain options or country standards increase weight

Engine

Dual Fuel – Kubota W6972	31 hp / 23 kW
Diesel Fuel – Kubota D1305	24.8 hp / 18.5 kW
Fuel Tank Capacity	22 gal / 83.3 L

Tires

Standard	12 x 16.5-in Foam-filled
----------	--------------------------

Brakes

Four Wheel	Spring Applied
------------	----------------

Hydraulic System

Capacity	32 gal / 121.4 L
----------	------------------

KEY SPECS

Platform Height 53-ft / 16.2-m	Machine Width 7-ft 7-in / 2.3-m
Platform Capacity 1,500-lb / 680-kg	Stowed Drive Speed 3.5 mph / 5.6 km/h

KEY FEATURES

- Enhanced stability on uneven surfaces with a standard oscillating axle for better traction and grade climbing ability.
- The fully accessible hydraulic and engine compartments provide for enhanced ease of service.
- With the operator in mind, the platform is designed to shed debris and to allow for smoother extension deployment.
- A standard 4-ft deck extension provides more space for people and materials.

ACCESSORIES & OPTIONS

- 43.5-lb (19.7-kg) Propane Tank
- Dual Extension Deck
- SkyPower® Package
- Additional Flashing Amber Beacon
- Large Material Rack
- Workstation
- Cold Weather Start Kit
- Pipe Rack Accessory
- Platform Worklights

STANDARD FEATURES

- 110V-AC Receptacle in Platform
- All Motion Alarm
- Oscillating Axle
- 4-ft (1.22-m) Manual Deck Extension
- Automatic Transmission
- Proportional Drive/Lift Up/Lift Down
- 4-Wheel Drive
- ClearSky Smart Fleet™ Hardware (CS550)
- Self-Closing Gate
- 70.5 x 149.8-in (1.8 x 3.8-m), All Steel Platform with Aluminum Deck
- Fold-Down Handrails
- Three-speed Drive Select
- Adjustable, Removable Platform Control Station
- Horn
- Tilt Light and Alarm
- LED Motion/Amber Beacon (CS550)
- Leveling Jacks

KRYSPOL

e-mail: biuro@kryspolrent.pl



883 770 380

604 262 384

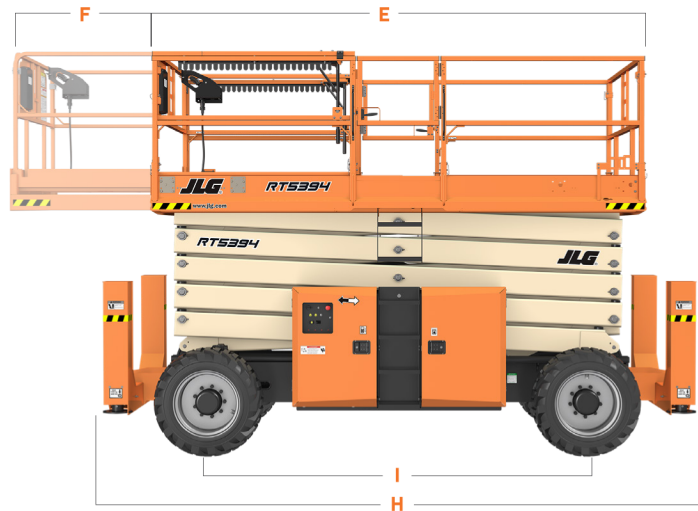
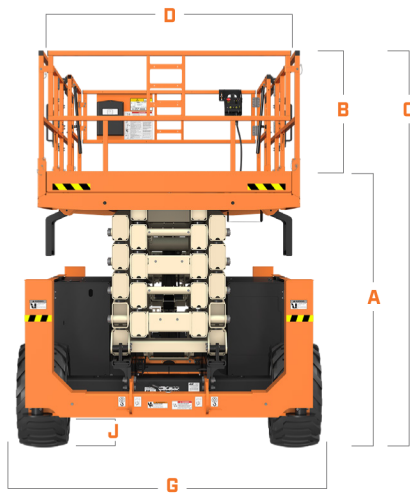
RT5394

ROUGH TERRAIN SERIES



DIMENSIONS

All dimensions are approximate



A. Platform Height (Rails Lowered)	7-ft 9-in / 2.36-m	F. Platform Extension	4-ft / 1.2-m
B. Platform Railing Height	43.5-in / 1.1-m	G. Machine Width	7-ft 7-in / 2.3-m
C. Machine Height	10-ft 5-in / 3.2-m	H. Machine Length	16-ft / 4.9-m
D. Platform Width	70.5-in / 1.8-m	I. Wheelbase	9-ft 9-in / 3.0-m
E. Platform Length	149.8-in / 3.8-m	J. Ground Clearance	12-in / 30-cm

KRYSPOL  **883 770 380**
e-mail: biuro@kryspolrent.pl **604 262 384**



We provide coverage for one (1) full year, and cover all specified major structural components for five (5) years. Due to continuous product improvements, we reserve the right to make specification and/or equipment changes without prior notification. This machine meets or exceeds applicable ANSI and CSA requirements based on machine configuration as originally manufactured for intended applications. Please reference the serial number plate on the machine for additional information.



JLG INDUSTRIES, INC.
 Toll-free US 877-JLG-LIFT
JLG.com

An Oshkosh Corporation Business